

The EVR3000 inverter provides maximum energy harvest for smaller PV installations. With significant configuration flexibility, industry-leading reliability and easy jobsite installation, these inverters are ideally suited to the dynamic residential solar market. These units are ideal for integration into new and existing homes and, with proper planning, allow homeowners to expand their PV systems over time.

The inverters are available in extended and standard voltage range versions to best fit the needs of each installation. The Extended Voltage Range (115-500VDC) products offer the industry's lowest MPPT voltage and are the ideal choice for integration with next generation low voltage and building-integrated (BIPV) modules. The Standard Voltage Range (150-500VDC) products are optimized for traditional modules. Together, the entire product line offers the most design configurations across the widest range of PV modules.

Additional flexibility is provided by PV Powered's new ETL-listed and NEC code-compliant integration platform for both indoor and outdoor installations. Other system options include different mounting methods, AC and DC disconnects, inverter status display and wired or wireless data monitoring. This flexible approach enables visually pleasing, site-specific configurations that reduce permitting and inspection issues and reduce installation time.



## FEATURES

### Flexible System Configurations

- » Standard (150-500VDC) or Extended (115-500VDC) DC operating ranges
- » Lowest MPPT voltage (115VDC) improves compatibility with new low voltage and BIPV modules
- » ETL-listed integration platform saves installation time and errors
  - » AC and DC disconnects
  - » Indoor and outdoor configurations
- » Customizable data monitoring interface improves branding and customer experience

### Superior Reliability

- » Significant software integration rather than complex hardware design
- » Field-proven reliability

### Easy Installation

- » No neutral required with three wire AC installations
- » Meets revised UL1741 standard
- » Field-configurable grounding scheme with simple jumper selection
- » 10 knockouts for a variety of conduit routing options
- » Anti-corrosive NEMA 3R enclosure

### Technical Support and Field Service

- » Industry leading service reimbursement policy
- » NABCP-certified field service team\*

\*In designated service zones only

## ELECTRICAL SPECIFICATIONS

MODEL	EVR3000
EVR = Extended Voltage Range SVR = Standard Voltage Range	SVR
Continuous Output Power (watts)	3000
Weighted CEC Efficiency (%)	93*
Maximum DC Input Voltage (VOC)	500
DC Voltage Operating Range (V)	170-450
DC Isc Maximum Current (A)	26
DC Imp Nominal Current (A)	20
AC Nominal Voltage (V)	240
AC Operating Range (V)	211 - 264
AC Frequency Range (Hz)	59.3 - 60.5
AC Maximum Continuous Current (A)	13

\*Pending CEC verification

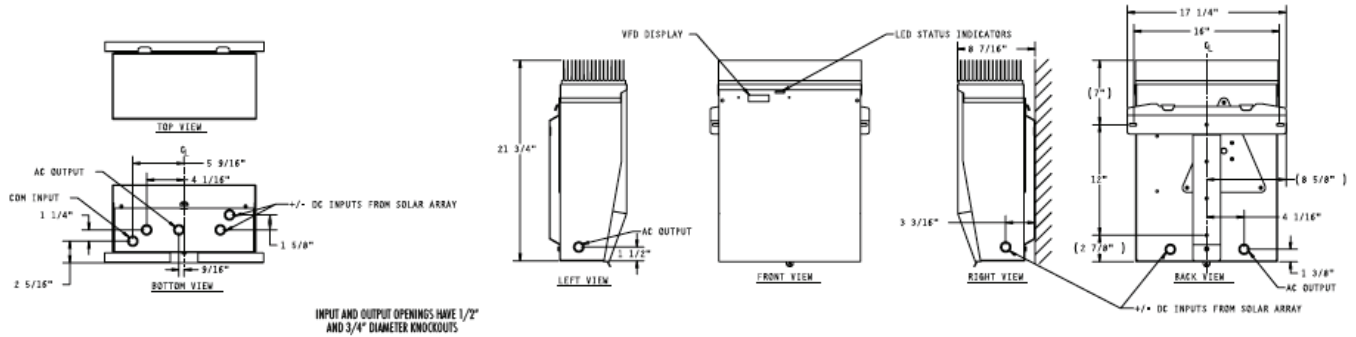
## MECHANICAL SPECIFICATIONS

MODEL	EVR3000
NEMA 3R (Outdoor Rated) Sealed Powder Coated Electro-Magnetic Plated Steel Enclosure	X
Wall Mounted with Included Bracket	X
Weight (lbs)	80

## AGENCY APPROVALS

MODEL	EVR2000
IEEE 1547-compliant, UL 1741 Nov 2005 Revision and FCC Class A & B expected March 2008	X

## DIMENSIONS EVR-1100, EVR-2000, EVR-3000



Dimensions shown are preliminary and subject to change... contact the E-Village Solar sales department for the latest drawing.

